

RS-232 Control Protocol

Baud Rate: 2400

Data Bits: 8

Stop Bits: 1

Parity: None



Codes below are hexadecimal. No Carriage return is required. Important: In some cases you may need to enable the RS-232 control by sending hex command: **FF EE EE EE AA** (This will only need to be sent once during commissioning, the setting will remain through subsequent power cycles)

Screen Up: **FF EE EE EE DD**

Screen Stop: **FF EE EE EE CC**

Screen Down: **FF EE EE EE EE**

Excessive Motor Use

The motor will switch off if the screen is used continuously for more than three minutes. Allow the motor to cool for 30 minutes before using again.

If you do not expect to use your screen for some time, please disconnect the power.

* **Note:** Warranty does not cover un-installing or re-installing unit.

Protecting your Screen:

To ensure long lasting viewing enjoyment keep the screen rolled up when not in use. Check both the front and back surfaces before retracting into the case to make sure it is free of dust, dirt, insects or other foreign matter. Use a soft brush or cloth to lightly remove any foreign particles.

Cleaning your Screen:

Use warm water with a mild detergent to remove any marks on the surface (only dab, do not rub) or screen casing. Immediately dry the screen with a soft cloth or towel. Do not leave it to air dry.

Never use any solvents, chemicals or abrasive cleaners on the screen surface as they can permanently damage the screen surface.

Imported and distributed in Australia by



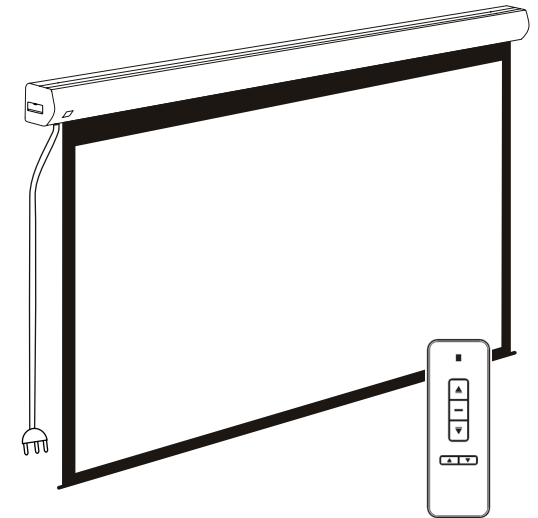
1800 251 367

orders@ambertech.com.au

ambertech.com.au

Grandview

IP SMART SCREEN USER MANUAL



Product Code:

GRIP084/100/120/140/150/180V

GRIP092/102/120/130/140/150/160/180/200H

GRIP094/103/110/120/130/140/150/160/180/200C



ambertech.com.au

To the owner

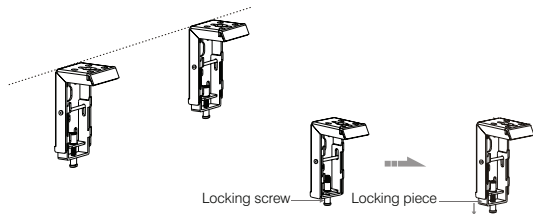
Congratulations on purchasing a Grandview IP Smart Screen. This screen is designed to produce the sharpest, most pleasing pictures with maximum convenience.

Before you start

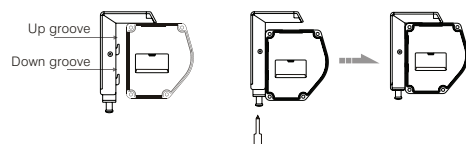
- Use the correct tools: a level, a measuring tape and a pencil to mark with.
- Measure the bracket position accurately before attaching to the wall or ceiling.
- Do not mount the brackets the full width of the casing, allow at least 100mm at each end for horizontal picture alignment.

Wall mount

Mount the brackets firmly eg: into wall studs or bricks. Ensure the brackets are in level.

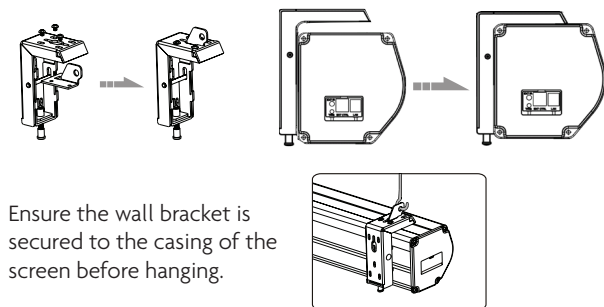


Slide the screen onto the brackets and snap into the groove and tighten the screw.



Ceiling installation

Attach the ceiling brackets as shown. Slide the screen and lock



Caution:

Before operating the screen you must remove the adhesive tape which holds the dropper bar to the screen case.

Electrical installation

Grandview IP Smart Screens come with an Australian standard plug. Simply plug in and your screen is ready to use.

Operating Instructions

Using IR Remote

Your remote control comes with a battery installed.

To operate your remote:

Press ▲ to lift the screen

Press ● to stop the screen

Press ▼ to lower the screen

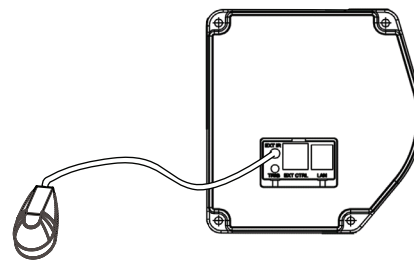
▲▼ The Micro switch is used for retracting or lowering screen in small increments.



Alternatively you may also use the external IR receiver cable and sensor.

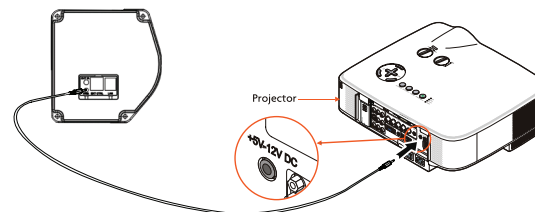
Plug the IR receiver cable into the IR socket on the casing and mount the sensor in line of sight with the remote.

Now use the remote to lower and retract the screen.



Using 12V Trigger:

Connect the projector and screen with the jack plug cable provided. Turn "ON" the projector and choose 12V from the menu, the screen will lower. When the projector is turned "OFF" the screen will retract into the casing.



Limit settings

The screen is fitted with 2 limits. The limits automatically stop the screen in the fully UP (top limit) and fully Down (bottom limit) positions. You can adjust the bottom limit to set your viewing height.

You may also search for Grandview Limit Setting in YouTube to view the limit setting technique.

Setting the top limit

Adjusting the top limit may damage your screen and void your warranty. For this reason the top limit screw is covered by a warning sticker.

Do not adjust the top limits under any circumstance.

Setting the bottom limit

Caution: Setting the bottom limit beyond the black leader may render your screen inoperable and void your warranty.

The bottom limit switch is accessible through a grommeted hole on the left side of the casing.

Lower the screen to the operating position then insert the supplied Hex key into the white coloured screw.

Turn it clockwise to raise the screen or turn it anti-clockwise to lower the screen.

When lowering the bottom limit the screen will move as you adjust it.

When raising the bottom limit please lift and lower the screen with the remote or side buttons to see the new limit setting.

Using close contact WIRING MAP

